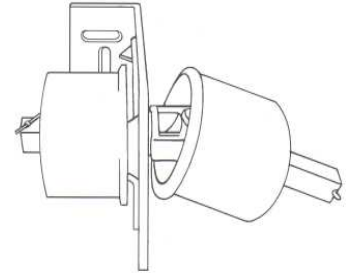
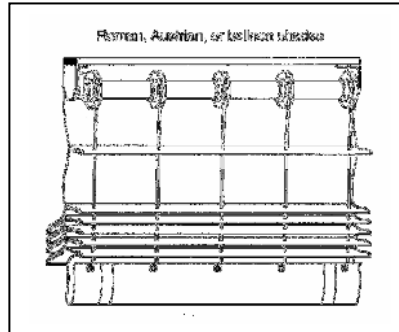
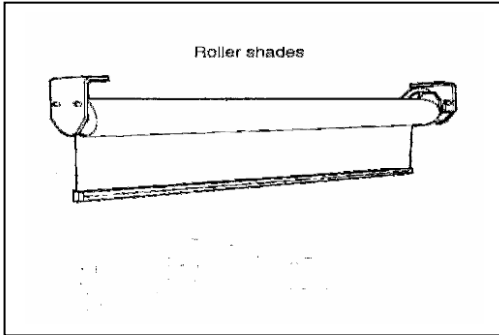


Motorized Lift Rollers For Romans & Window Shades



Roman Shades or Window shades
Can be easily lifted or
Lowered with the MOTORIZED LIFT
ROLLER ASSEMBLY. The Roller
Is used as CAPSTAN. Info to cut
On window shade: Tube less
2.5", and Fabric Less 2.75".
The motors for ROMANS are
Mounted on the same board
As the ROMAN SHADE. Supply
The Romans on a 1 x 4.5" mounting
Board. Which will allow both to be
Installed as ONE UNIT. Motors
For Both types of shades can be
Operated by Switch or Radio
Remote Controls.

