



MOTORIZED SYSTEMS

LEG Motorized Systems

20258 NE 15th Ct Miami, FL 33179

TEL: 800 44.MOTOR (6867)

FAX: 800 446.6442

305 653.0337

305 6536809

E-Mail: sales@legmotorizedsystems.com

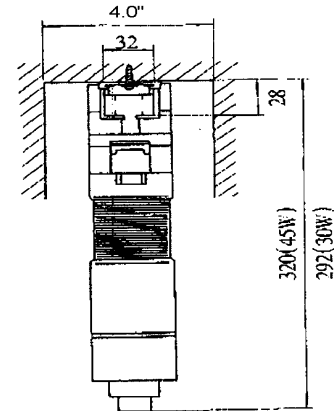
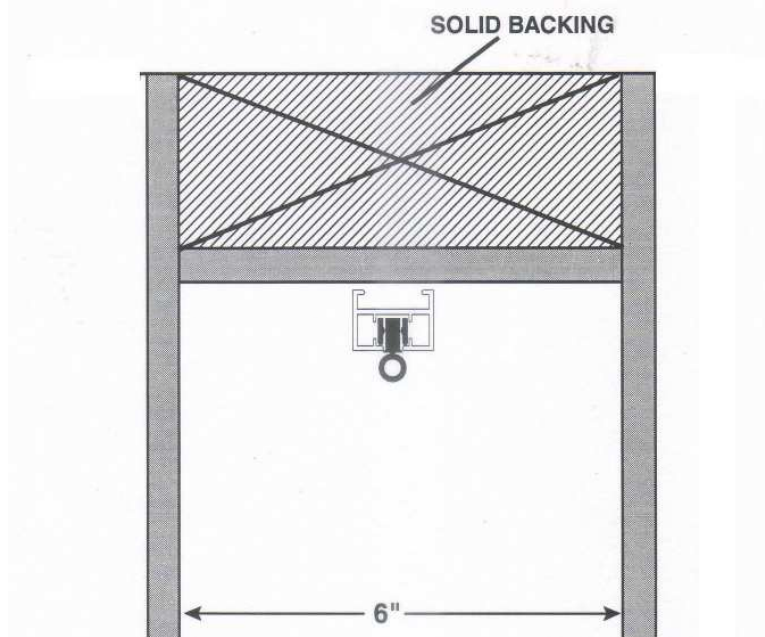
FILE: Pocket Info

Nov-2007

INFORMATION: DRAPERY POCKET

NOTE: this does NOT Hold True for a Curve

SINGLE DRAPERY POCKET Detail



Sectional View of Installation

DUAL DRAPERIES POCKET Detail

